

## Isokinetic Glassware Repair

Repairing your glassware is not only cost-effective compared to replacing it, but it's also a sustainable choice. You'll help reduce waste and conserve for our planet.



### Receive and Inspect ✓

Once we receive your glassware, we will meticulously inspect it and provide an estimate based on our published rate sheet.

# 1



### Expert Repair ✓

Our skilled glassblowers will evaluate and repair your glassware using expert techniques, giving it a new lease on life.

# 2



### Inspect and Return ✓

Once restored, your glassware will undergo a quality check before being securely shipped back to you in a reusable mailer.

# 3

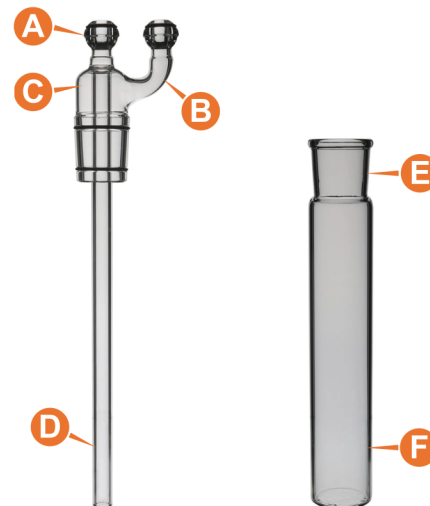


# Repair Service Codes and Rates

Note: Preheating is required when repairing fritted glassware.

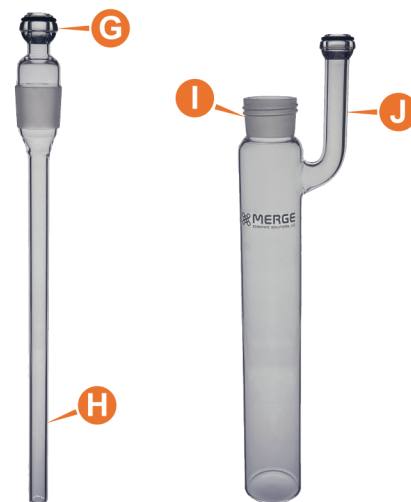
## Impinger Inserts

SKU		Name	Price
SV-E10	A	Center Neck #28 Ball Joint Replacement	\$26.00
SV-E11	B	Side Arm Ball Joint Replacement	\$41.00
SV-E12	A&B	Center Neck & Side Arm Replacement	\$60.00
SV-E13	A&D	Replace Center neck & Extend Stem	\$36.00
SV-E14	B&D	Side Arm & Stem Extension	\$51.00
SV-E15	A,B&D	Center Neck, Side Arm, & Stem Extension	\$70.00
SV-E16	D	Stem Extension if OAL < 370mm	\$10.00
SV-CP2	D	Cut & Polish Stem (12 - 25mm OD)	\$10.00



## Impinger Bottles

SKU		Name	Price
SV-E17	E	Replace 45/50 Joint	\$34.00
SV-E18	E&F	Combine two to make one	\$25.00
SV-E19	E&F	Impinger Bottle Combined Repair Joint and Flat Bottom	\$43.00

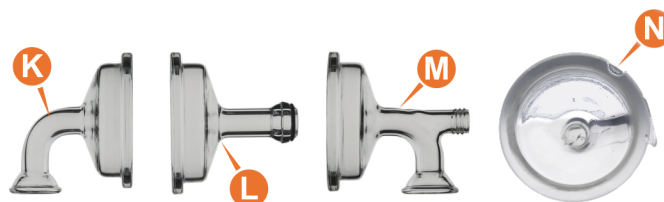


## GL Impinger

SKU		Name	Price
SV-E10	G	Center Neck #28 Ball Joint Replacement	\$26.00
SV-E16	H	Stem Extension	\$10.00
SV-E31	I&J	GL Center Neck and Side Arm Replacement	\$69.00
SV-E32	I	GL- 45 Replacement Joint	\$54.00
SV-E33	J	Side Arm Replacement	\$38.00

## Filter Halves

SKU		Name	Price
SV-E20	K	Socket Replacement	\$38.00
SV-E21	L	Ball Replacement	\$26.00
SV-E22	M	Socket & GL 18 Replacement	\$46.00
SV-E23	N	Chips Filled and Ground	\$20.00
SV-E30	N	Flange Replacement	\$42.00



## Condensers & Sorbent Traps

SKU		Name	Price
SV-E24	O	Socket & GL Replacement	\$46.00
SV-E25	P	GL 18 Replacement	\$24.00
SV-E26	Q	Socket Replacement	\$28.00
SV-E27	R	Glass Hose Barb Replacement	\$18.00
SV-E28		Preheating Fritted Glassware	\$10.00
SV-E29		Extract Stuck Insert from Bottle	\$5.00

